

# AZ986

## 40 AMP 280-ISO AUTOMOTIVE RELAY

### FEATURES

- 40 Amp contact rating
- High operating temperature (125°C)
- SPST (1 Form A), SPDT (1 Form C)
- Available with shrouded weatherproof cover
- Coil suppression available
- ISO/TS 16949, ISO9001, ISO 14000
- Tested in accordance with SAE J2544



### CONTACTS

<b>Arrangement</b>	SPST (1 Form A) SPDT (1 Form C)
<b>Ratings</b>	Resistive load: Max. switched power: 560 W (SPST) 560 W (N.O.) 420 W (N.C.) Max. switched current: 40 A (SPST) 40 A (N.O.) 30 A (N.C.) Max. switched voltage: 75 VDC  *Note: If switching voltage is greater than 30VDC, special precautions must be taken. Please contact the factory.
<b>Material</b>	Silver tin oxide
<b>Resistance</b>	< 100 milliohms initially (6 V, 1 A voltage drop method)

### COIL

<b>Power At Pickup Voltage (typical)</b>	0.58 W
<b>Max. Continuous Dissipation</b>	3.7 W at 20°C (68°F)
<b>Temperature Rise</b>	52°C (94°F) at nominal coil voltage
<b>Temperature</b>	Max. 180°C (356°F)

### NOTES

1. All values at 20°C (68°F).
2. Relay may pull in with less than "Must Operate" value.
3. Specifications subject to change without notice.

### GENERAL DATA

<b>Life Expectancy</b> <b>Mechanical</b> <b>Electrical</b>	Minimum operations 1 x 10 <sup>7</sup> 1 x 10 <sup>5</sup> at 40 A 14 VDC Res.
<b>Operate Time (max.)</b>	6 ms at nominal coil voltage
<b>Release Time (max.)</b>	3 ms at nominal coil voltage
<b>Dielectric Strength (at sea level for 1 min.)</b>	500 Vrms coil to contact 500 Vrms contact to contact
<b>Insulation Resistance</b>	100 megohms min. at 500 VDC, 20°C 50% RH
<b>Dropout</b>	Greater than 10% of nominal coil voltage
<b>Ambient Temperature</b> <b>Operating</b> <b>Storage</b>	-55°C (-67°F) to 125°C (257°F) -55°C (-67°F) to 155°C (311°F)
<b>Vibration</b>	1.27mm DA 10-40 Hz 5 g 40-70 Hz 0.5mm DA 70-100 Hz 10 g 100-500 Hz
<b>Shock</b>	196 m/s <sup>2</sup>
<b>Enclosure</b>	P.B.T. polyester
<b>Terminals</b>	Tinned copper alloy 0.110 Quick Connect Note: Allow suitable slack on leads when wiring, and do not subject the terminals to excessive force.
<b>Weight</b>	28 grams (37 grams shrouded version)



**AMERICAN ZETTLER, INC.**

[www.azettler.com](http://www.azettler.com)

75 COLUMBIA • ALISO VIEJO, CA 92656 • PHONE: (949) 831-5000 • FAX: (949) 831-8642 • E-MAIL: SALES@AZETTLER.COM

# AZ986

## RELAY ORDERING DATA

COIL SPECIFICATIONS			
Nominal Coil VDC	Must Operate VDC	Max. Continuous VDC	Coil Resistance $\pm 10\%$
12	7.2	21.0	90
24	14.4	42.0	360

## RELAY ORDERING DATA

### AZ986-1C-12DC2R1

- Blank - Standard no diode, no resistor
- R1 - 180 Ohm, ½ w resistor in parallel with 6 V coil  
680 Ohm, ½ w resistor in parallel with 12 V coil  
2700 Ohm ½ w resistor in parallel with 24 V coil
- R2 - 220 Ohm, ½ w resistor in parallel with 6 V coil  
820 Ohm, ½ w resistor in parallel with 12 V coil  
3200 Ohm ½ w resistor in parallel with 24 V coil
- D1 - 1A7 diode in parallel with coil, anode on #86 terminal
- D2 - 1A7 diode in parallel with coil, cathode on #86 terminal
- D3 - 1A4 diode in parallel with coil, anode on #86 terminal
- D4 - 1A4 diode in parallel with coil, cathode on #86 terminal
- C1 - Plastic dust cover unsealed
- C2 - Plastic dust cover sealed
- C3 - Plastic dust cover, shrouded, steel mounting bracket, unsealed
- C4 - Plastic dust cover, shrouded, steel mounting bracket, sealed
- 24D - 24 volt coil  
12D - 12 volt coil
- 1A - SPNO Single pole normally open  
1C - SPDT Single pole double throw
- Basic series designation - AZ986



**AMERICAN ZETTLER, INC.**

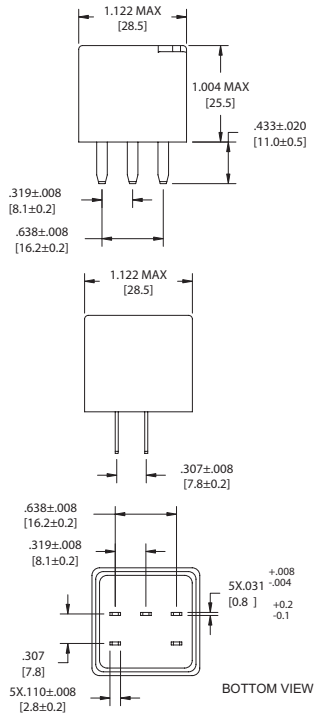
[www.azettler.com](http://www.azettler.com)

75 COLUMBIA • ALISO VIEJO, CA 92656 • PHONE: (949) 831-5000 • FAX: (949) 831-8642 • E-MAIL: SALES@AZETTLER.COM

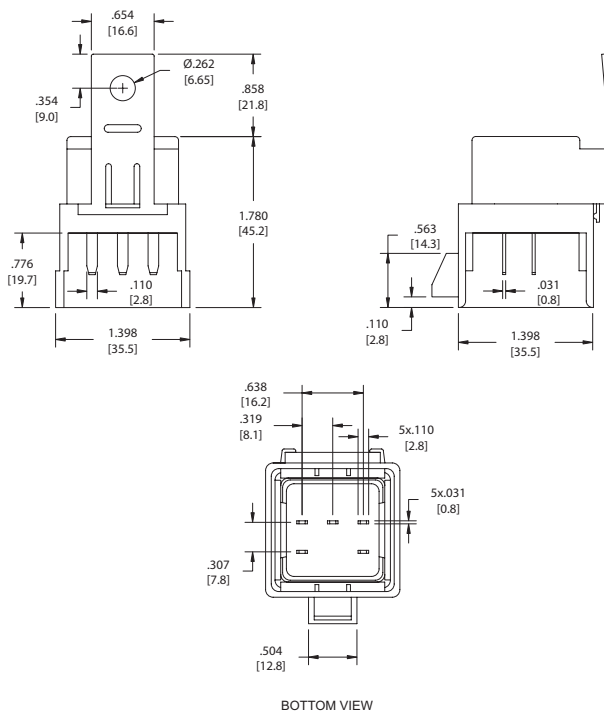
# AZ986

## MECHANICAL DATA

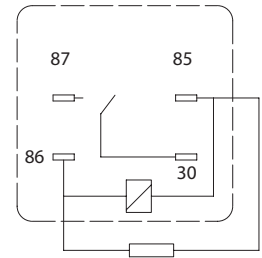
Outline Dimensions  
Versions C1 & C2



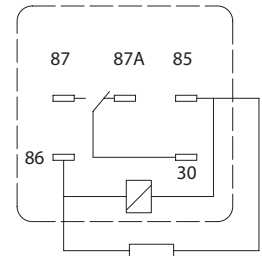
Outline Dimensions  
Versions C3 & C4



Wiring Diagram



1 Form A



1 Form C

VIEWED TOWARD TERMINALS

Dimensions in inches with metric equivalents in parentheses. Tolerance:  $\pm .010$ "



**AMERICAN ZETTLER, INC.**

[www.azettler.com](http://www.azettler.com)

75 COLUMBIA • ALISO VIEJO, CA 92656 • PHONE: (949) 831-5000 • FAX: (949) 831-8642 • E-MAIL: SALES@AZETTLER.COM